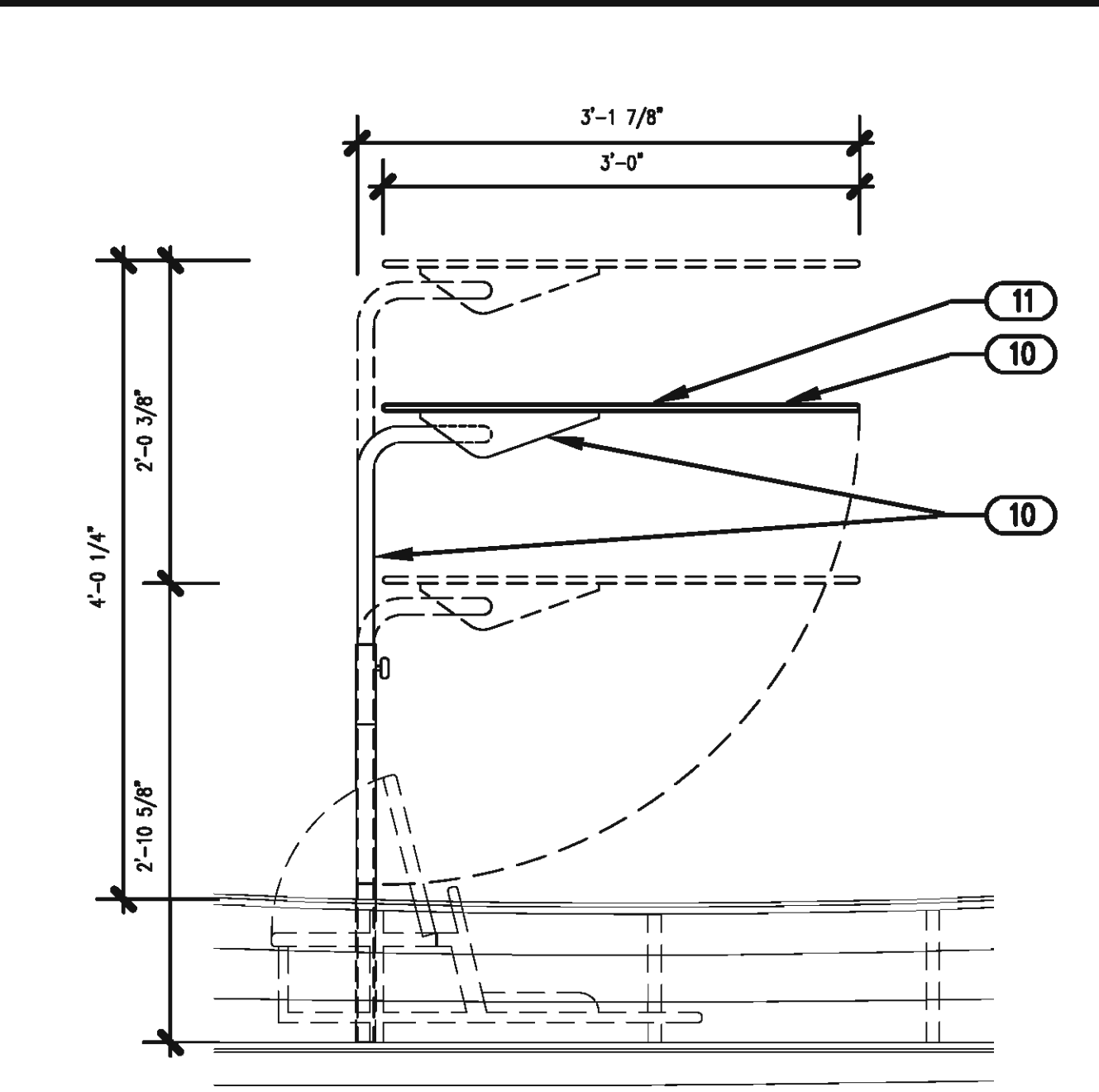


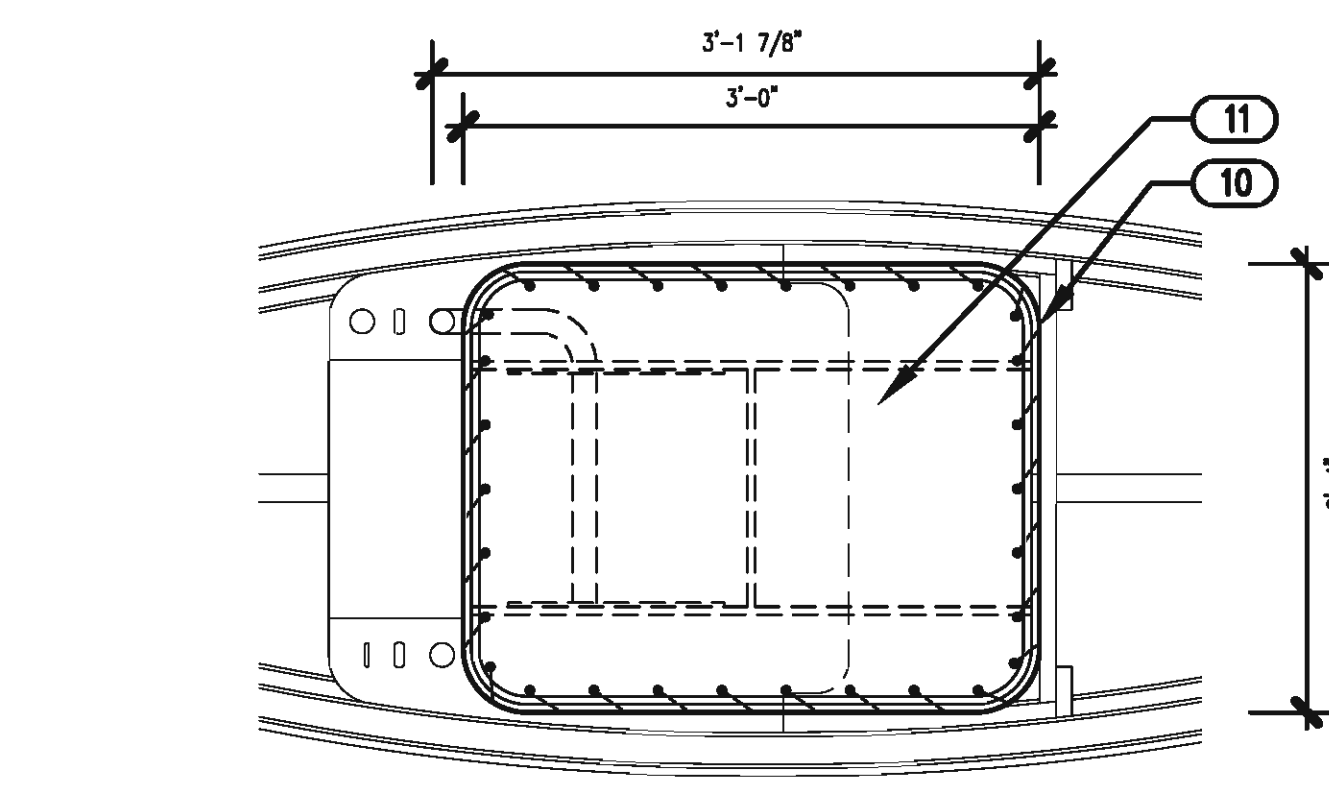
140 PROTOTYPE 1 HULL DATA	
L.O.A.	14'-0"
BEAM	2'-10"
DRAFT	4'-1 1/2"
WEIGHT DRY	105 LBS
MAXIMUM WEIGHT	425 LBS
SWAMPED CAPACITY	385 LBS
PERSONS CAPACITY	2
MAXIMUM HORSEPOWER	4 H.P.-12V ELECTRIC ONLY-NO GASOLINE POWERED MOTORS
DEADRISE AT MIDSHIP	0 DEGREES-FLAT HORIZONTAL
OPTIONS	INTEGRATED DRY STORAGE/ICE BOX IN BOAW-REPLACES HAWSW PLATE/STORAGE ADDITIONAL CUTOUT FOR CUPHOLDER PORT & HELM CANVAS FOLDING BIMINI TOP OR POLE MOUNTED T-TOP(REQUIRES CHANGE TO TOOL/KNIFE/ROD HOLDER AREA)

140 PROTOTYPE 1 STANDARD EQUIPMENT/FEATURES DATA	
CONSOLE/HELM	BACK REST-FIXED NON-SLIP STANDARD 16" SQUARE CUSHION HOLDER IN HELM SEAT-WITH LOGO DRINK HOLDER-STARBOARD SIDE ACCESS TO LIFT LID TO STORAGE COMPARTMENT
COCKPIT	INTEGRATED SLOTS FOR ROD, PLAYERS, & BAIT KNIFE-PORT & STARBOARD-ALTERNATE ARRANGEMENT WITH T-TOP OPTION FREEBOARD BOW/STERN 1'-1" MIDSHIP/HELM 9"
	LIFTING RINGS BOW/STERN 2" O.D. BRONZE CHROME PLATED-THRU BOLTED @ GRIP/KEEL HAWSW PLATES STERN ONLY DECK MOUNTED 2" I.D. BRONZE CHROME PLATED-SCREW FASTENED TO COVERING BOARDS @ DECK

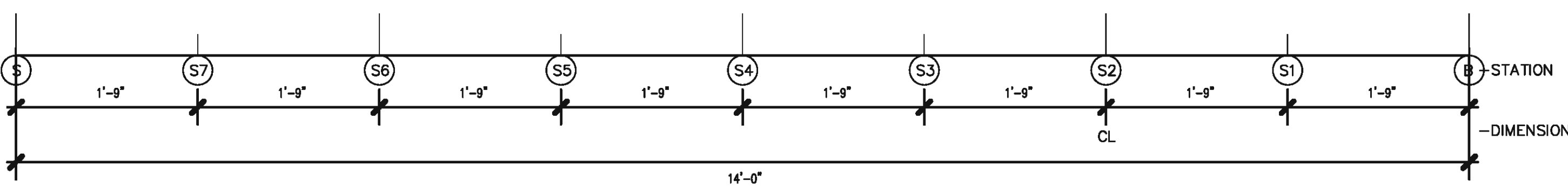
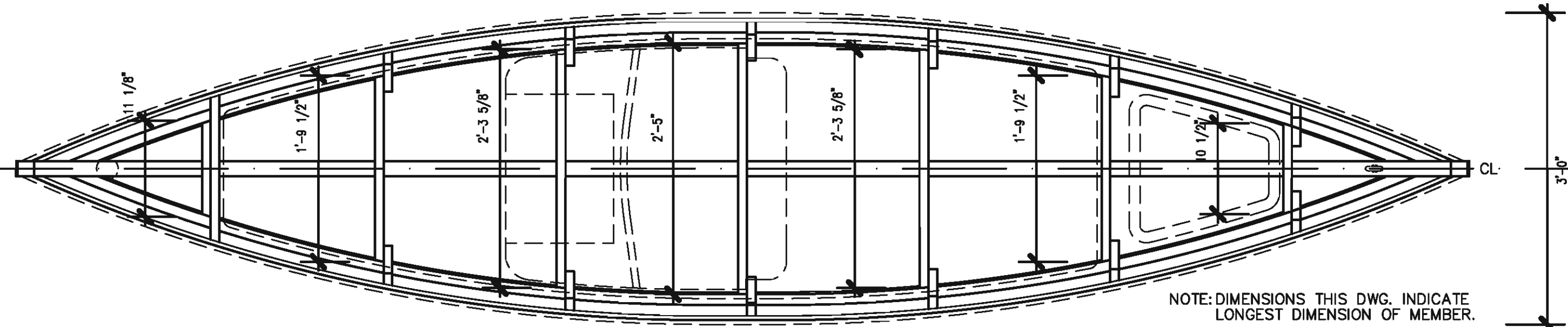
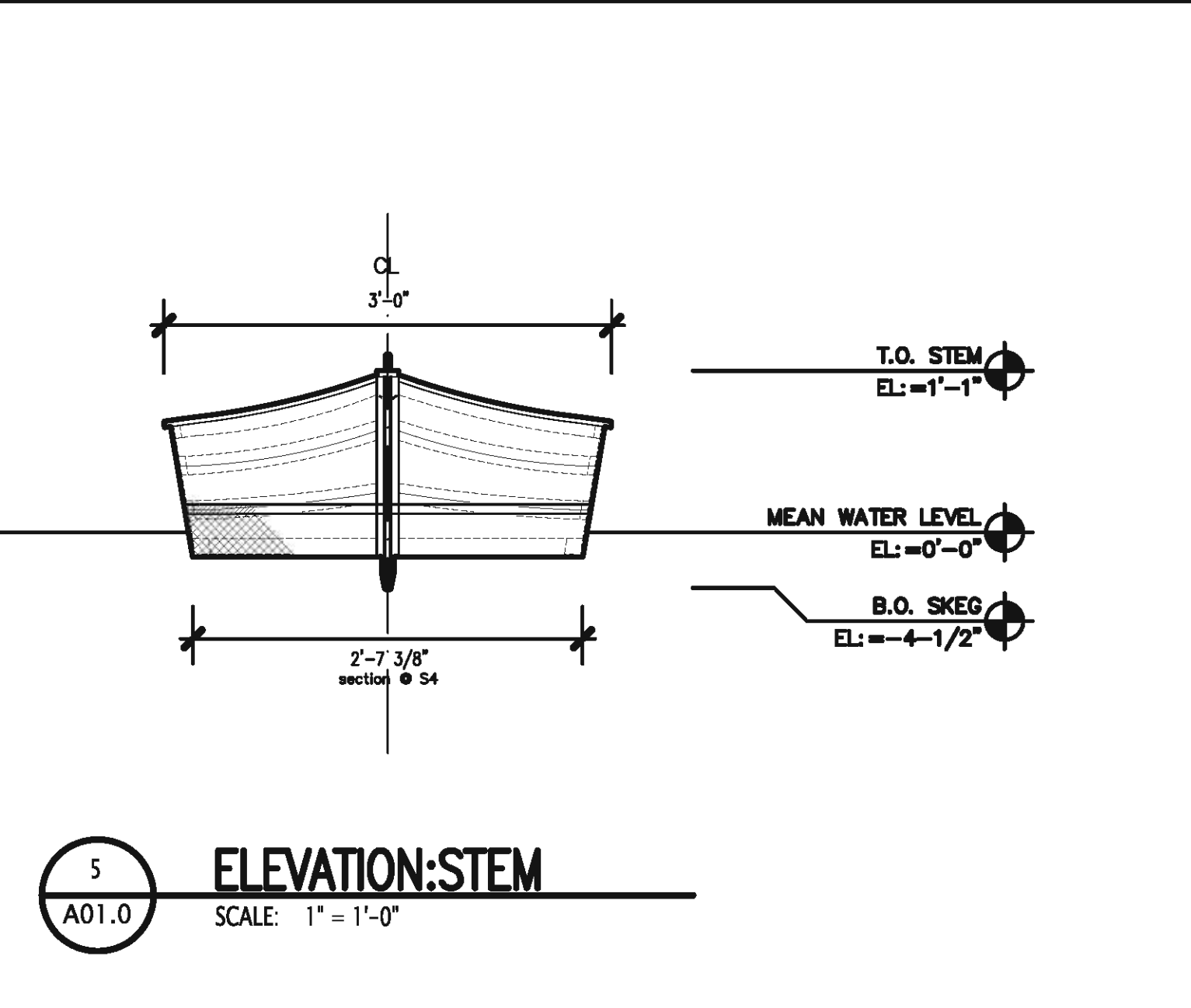
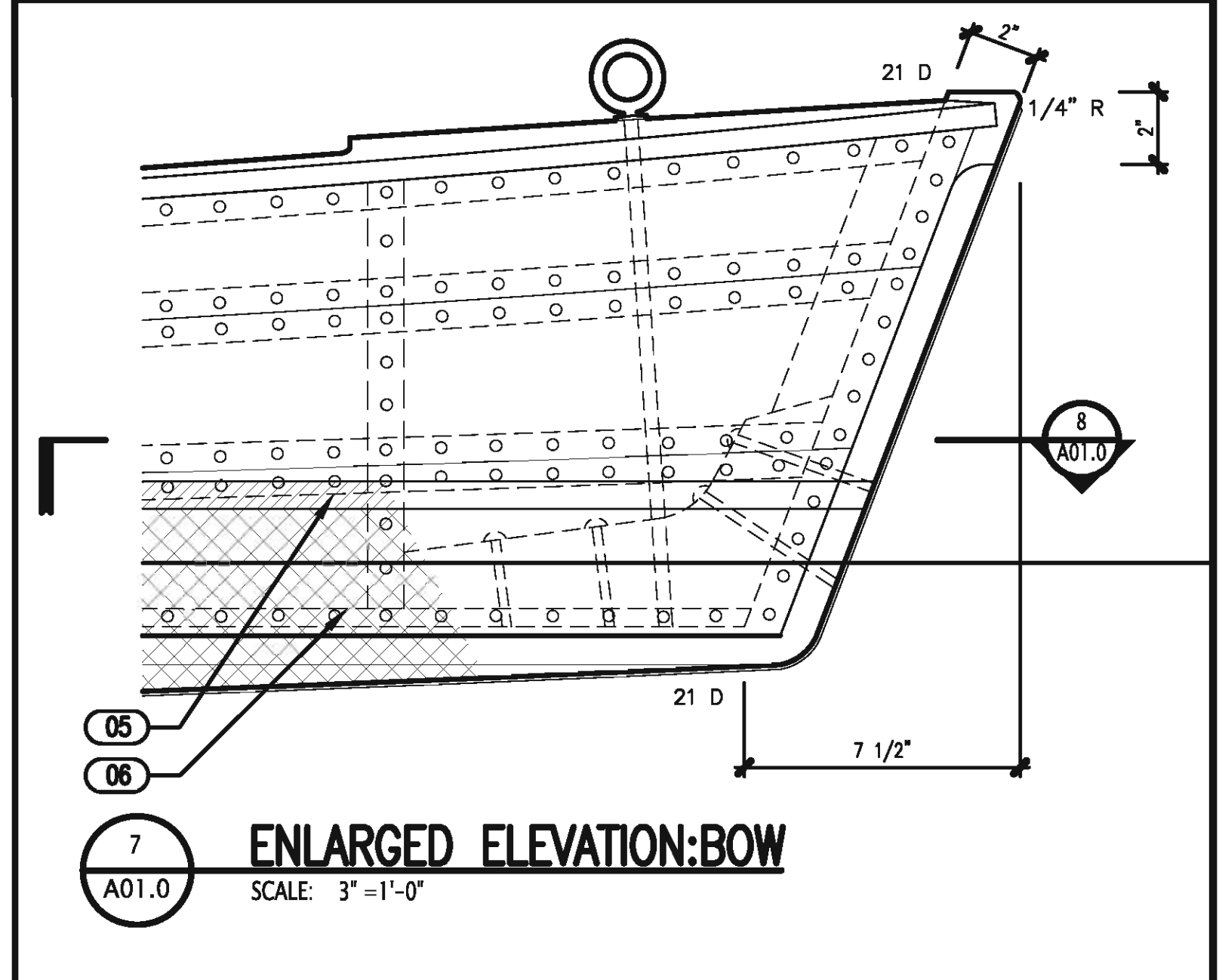
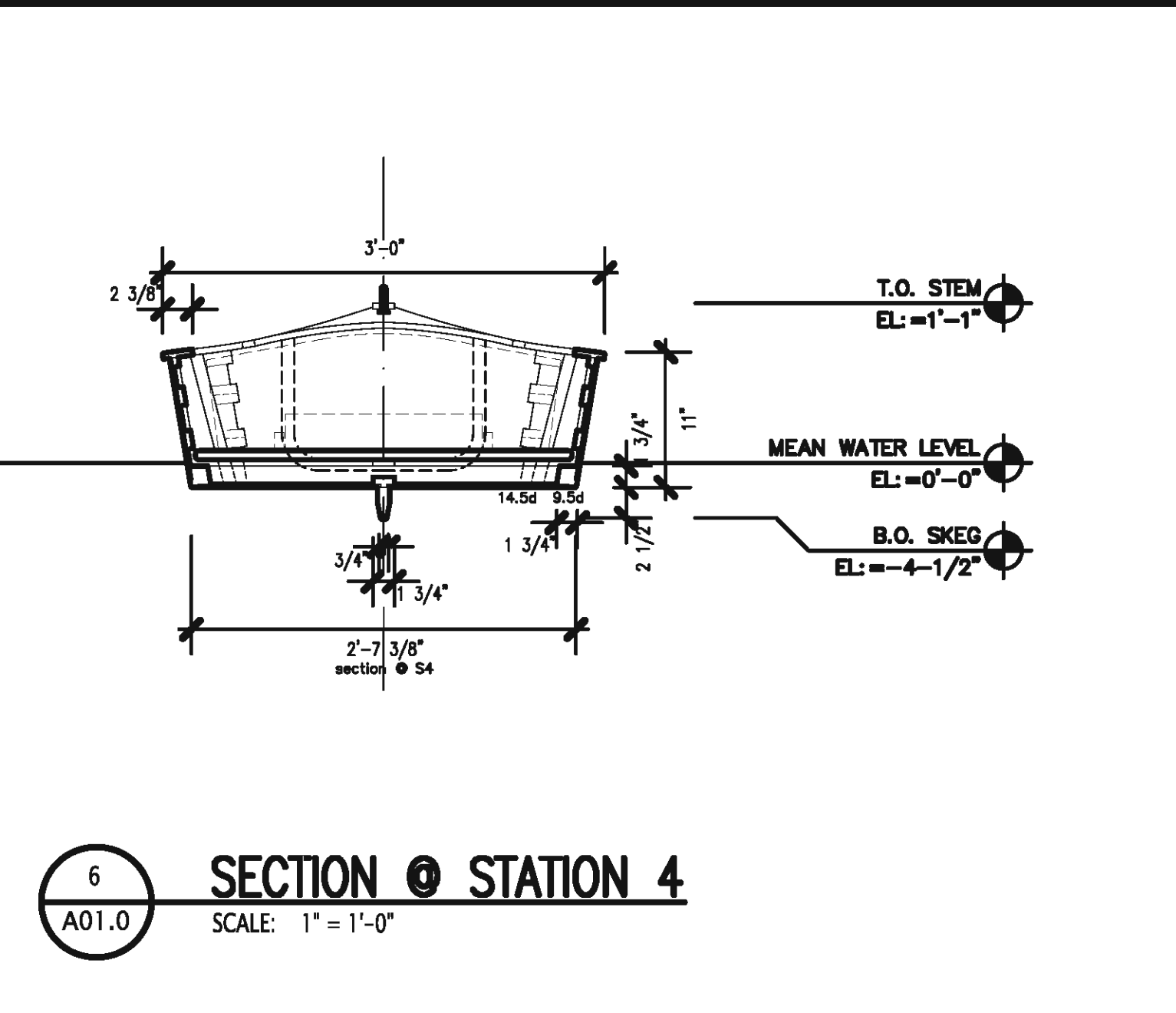
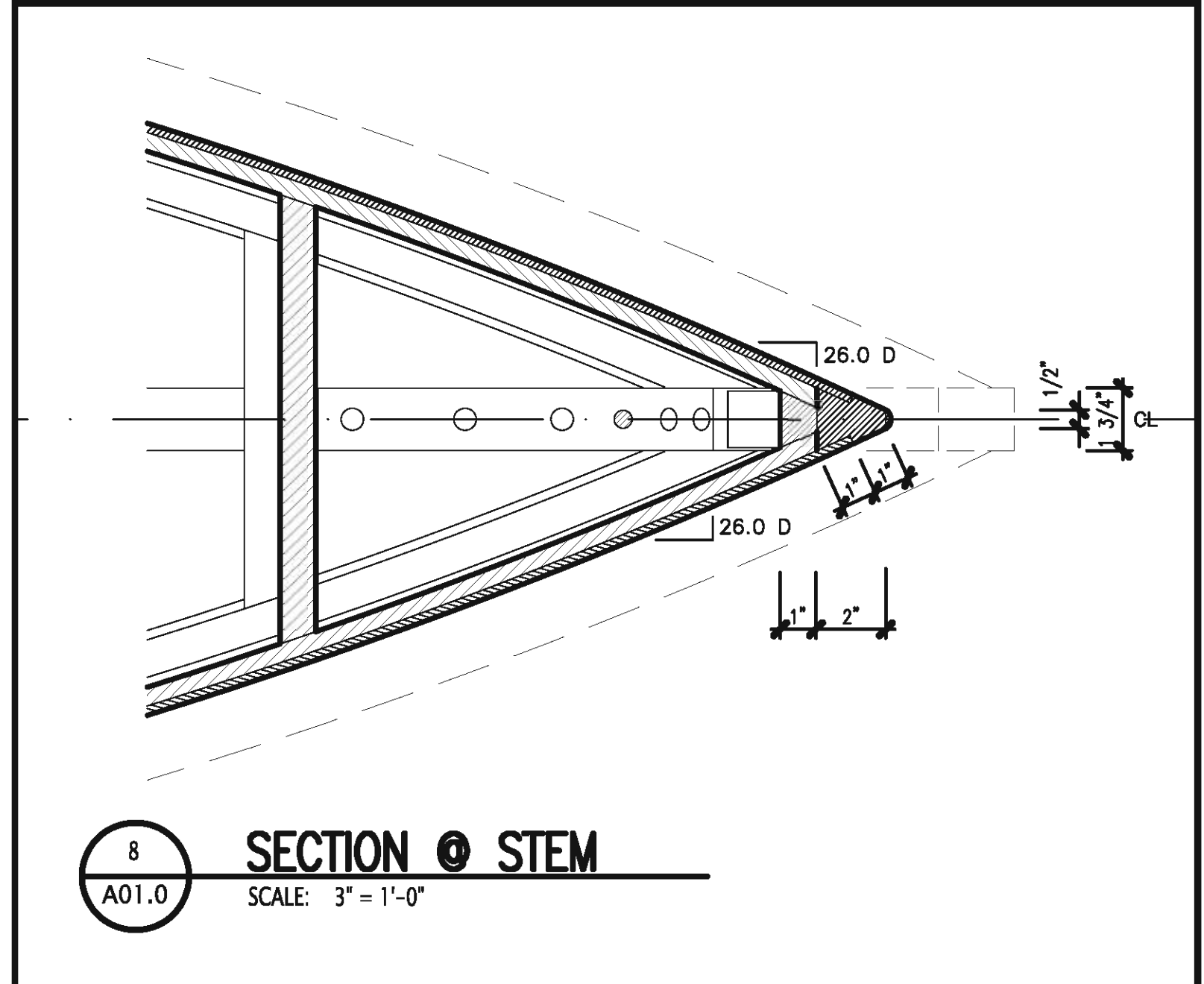
140 PROTOTYPE 1 HULL AND MATERIAL SPECIFICATIONS	
WOOD-PLANKS	1/4" PHILIPPINE MAHOGANY- ACCEPTABLE SPECIES- MERANTI, SHOREA, PARASHOREA, OKUME(IF AVAIL. IN LIGHT PINK) IF NOT AVAILABLE- "AFRICAN MAHOGANY"- ACCEPTABLE SPECIES- SAPITE, KHAYA- IN LIGHT RED/ MEDIUM PINK
WOOD-FRAME	RIBS- 1" X VARIES, CHINES- 1-1/2" X 1-3/4", STEM- 2" X 1-3/4", KEEL- 1-3/4" X 1"
WOOD-MISC.	COVERING BOARDS- 1/2" X VARIES, DECKS- 1/2" X VARIES*, SKEG- 1" X 2-1/2"
WOOD-PLYWOOD(BOTTOM SIDES)	MERANTI PLYWOOD OR MARINE PLYWOOD- 5/8"
	*IF NOT M.P., PLYWOOD TO BE SEALED TWICE WITH SMITHS CPES
FASTENERS	SILICONE BRONZE WOOD SCREW PLANK TO FRAME- #8, 1-1/4" PLANK TO CHINE- #8, 1-1/4" PLANK TO BATTEN- #8, 1/2" PLANK TO STEM- #8, 1-1/4" FRAME TO FRAME- #8, 1-3/4" CHINE TO STEM- #8, 1-3/4" SUB- STEM TO MAIN STEM- #8, 1-3/4" SEAT/STORAGE TO FRAME- #8, 1-3/4" SEAT/STORAGE TO SUB-FRAME- #8, 1-1/4"
	SILICONE BRONZE CARRIAGE BOLT FRAME TO KEEL- 1/4" X 2"-WITH FLAT WASHER & NUT FRAME TO STEM- 1/4" X VARIES-WITH FLAT WASHER & NUT FRAME TO CHINE- 1/4" X 3"-WITH FLAT WASHER & NUT GRIP TO KEEL- 1/4" X 2-1/2"-WITH FLAT WASHER & NUT
SEALANTS- SEAMS	3M 5200 VARNISHED JOINT/ SEAM- MAHOGANY COLOR
SEALANTS- WOOD	SMITH'S OPES WOOD SEALANT EPOXY- 35% SOLIDS 2 COATS- ALL SURFACES- SAND BEFORE STAIN AND VARNISH
STAIN-WOOD	EXTERIOR OF PLANKS INTERLUX 573 INTERSTAIN CHRIS-CRAFT MAHOGANY EXTERIOR OF COVERING BOARDS INTERLUX 573 INTERSTAIN CHRIS-CRAFT MAHOGANY HELM/STORAGE ASSEMBLY- TOPS INTERLUX 573 INTERSTAIN CHRIS-CRAFT MAHOGANY
PAINT INTERIOR	SANDUSKY 9606 CHRIS-CRAFT GRAY BILGE PAINT
BOTTOMSIDES HOLE FILLER	FAMOWOOD PROFESSIONAL NON SHRINK COMPOUND-OIL BASED-THIN WITH FAMOWOOD SOLVENT
VARNISH	INTERLUX SCHOONER GOLD THIN 30% WITH INTERLUX 333 THINNING SOLUTION
BOOT STRIPE	INTERLUX YACHT ENAMEL 120 SKIFF- WHITE 140 SKIFF- TRUE BLUE
BARRIER COAT	INTERLUX 2000E BARRIER SYSTEM EPOXY(55% SOLIDS) 4 COATS MINIMUM- FAIR AFTER 2,3, & 4 COATS
BOTTOM PAINT	PETIT COPPER BRONZE 1959 RACING BRONZE- HULLS THAT WILL NOT BE LEFT IN WATER 1933 ANTI- FOULING- HULLS THAT WILL BE STORED IN WATER EXTENDED TIME PERIODS
HARDWARE	LIFT RING-BOW AND STERN 2" CHROME PLATED BRONZE HAWSW PLATE BOW AND STERN TUBULAR 1-1/2" ID WITH SURFACE FLANGE AND SCREW HOLES HARDWARE MOUNTING SCREWS #8 X 1" BRONZE WOOD SCREW WITH CHROME PLATED PHILLIPS HEAD



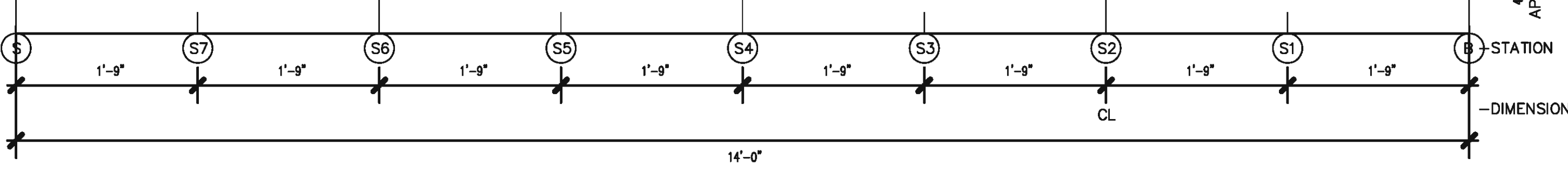
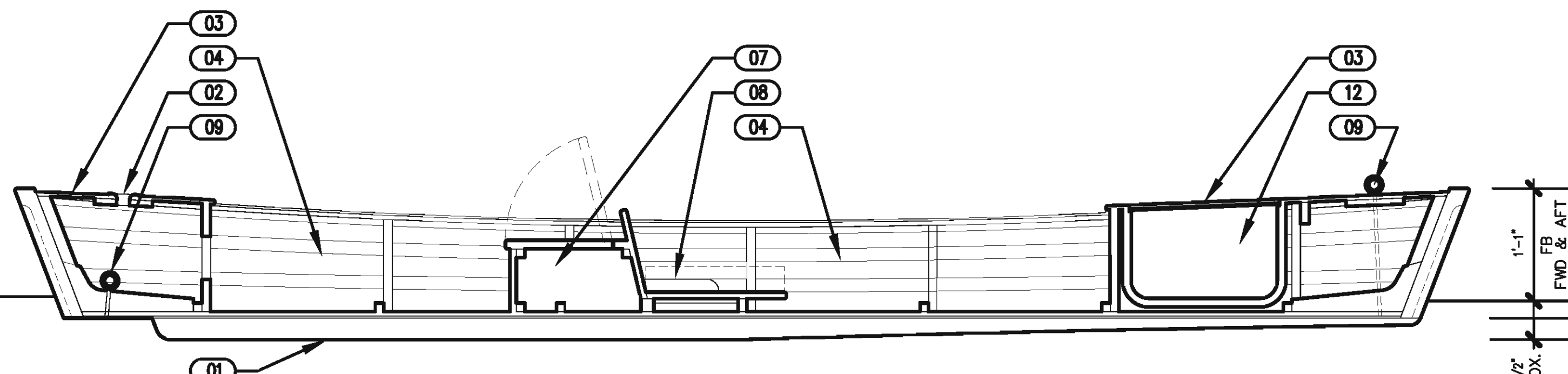
10 ELEVATION:OPTIONAL T-TOP
SCALE: 1"=1'-0"



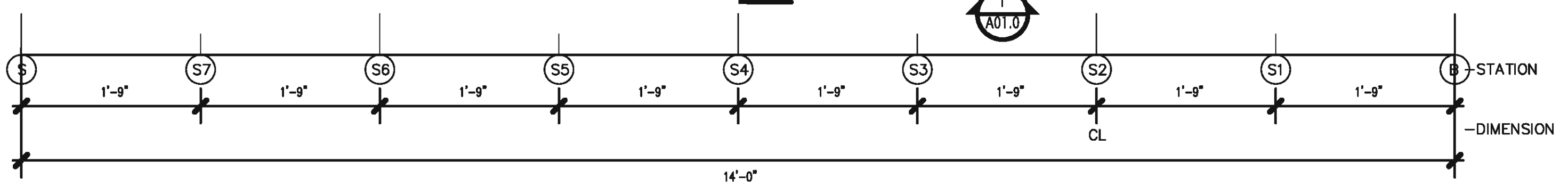
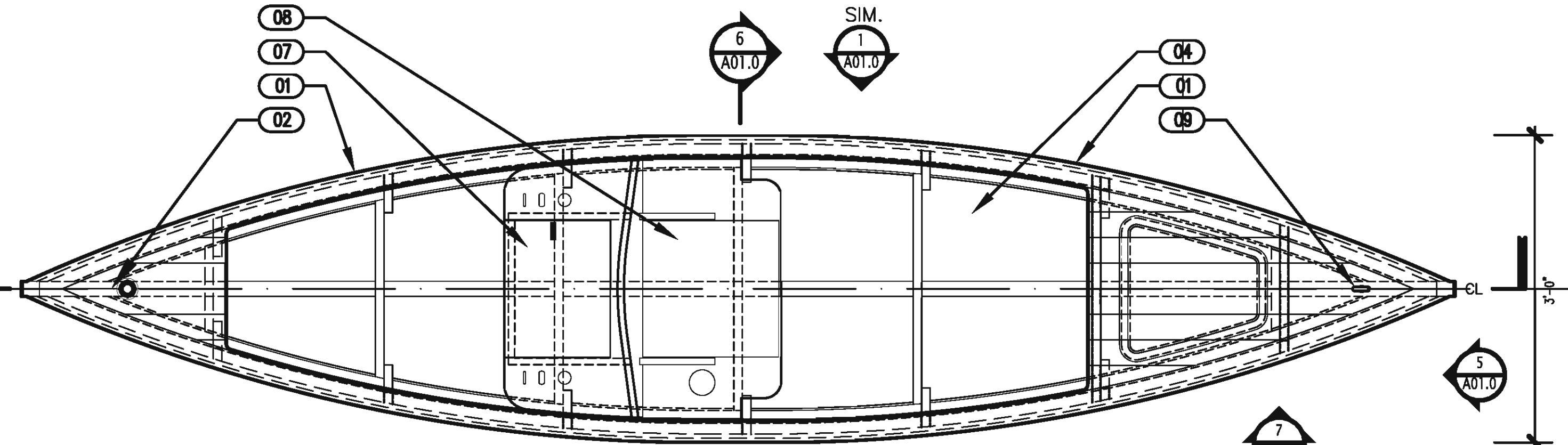
9 PLAN:OPTIONAL T-TOP
SCALE: 1"=1'-0"



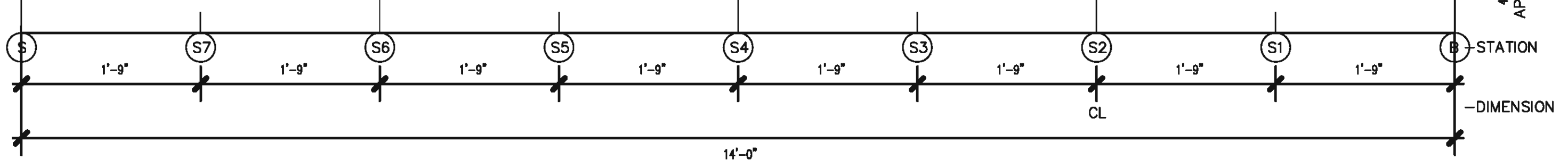
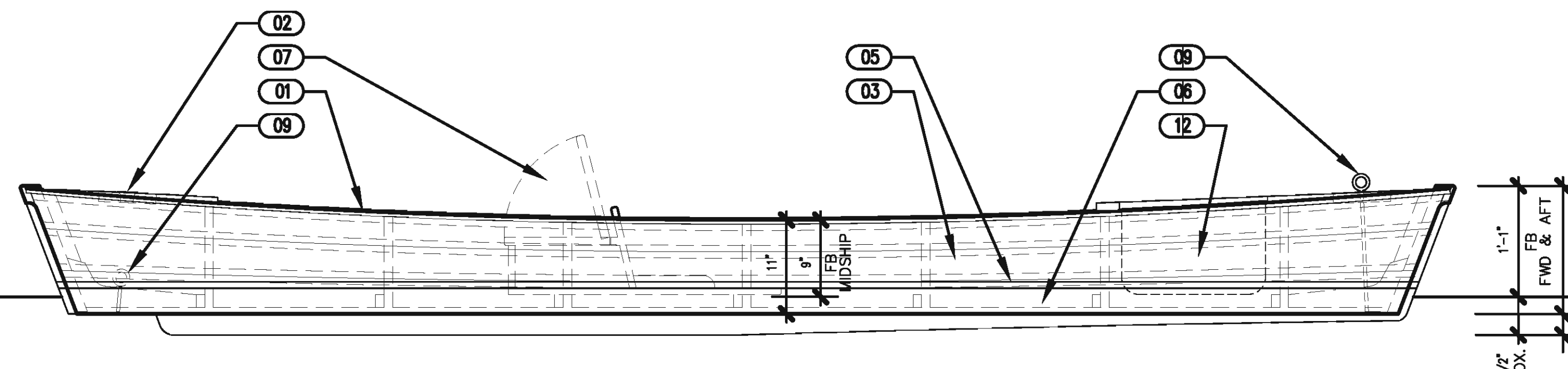
4 FRAMING PLAN
SCALE: 1"=1'-0"



3 SECTION:THRU KEEL CL
SCALE: 1"=1'-0"



2 PLAN:HULL @ COVERING BOARDS
SCALE: 1"=1'-0"



1 ELEVATION:STARBOARD
SCALE: 1"=1'-0"

REVISIONS:	

KEY NOTES:	
01	1/2" POL. S.S. RUBRAL
02	1-1/2" HAWSW PLATE
03	MAHOG.-STAINED,VARNISHED
04	PAINTED INTERIOR
05	PAINTED BOOT STRIPE
06	BOTTOM PAINT
07	STORAGE COMPARTMENT
08	HELM SEAT
09	LIFTING RING
10	ALUM. FRAME
11	CANVAS TOP
12	INSULATED STORAGE

CONSULTANTS:

SHEET CONTENTS:
140 SKIFF
prototype 1
DATE: 08.10.12



sheet:
01.00