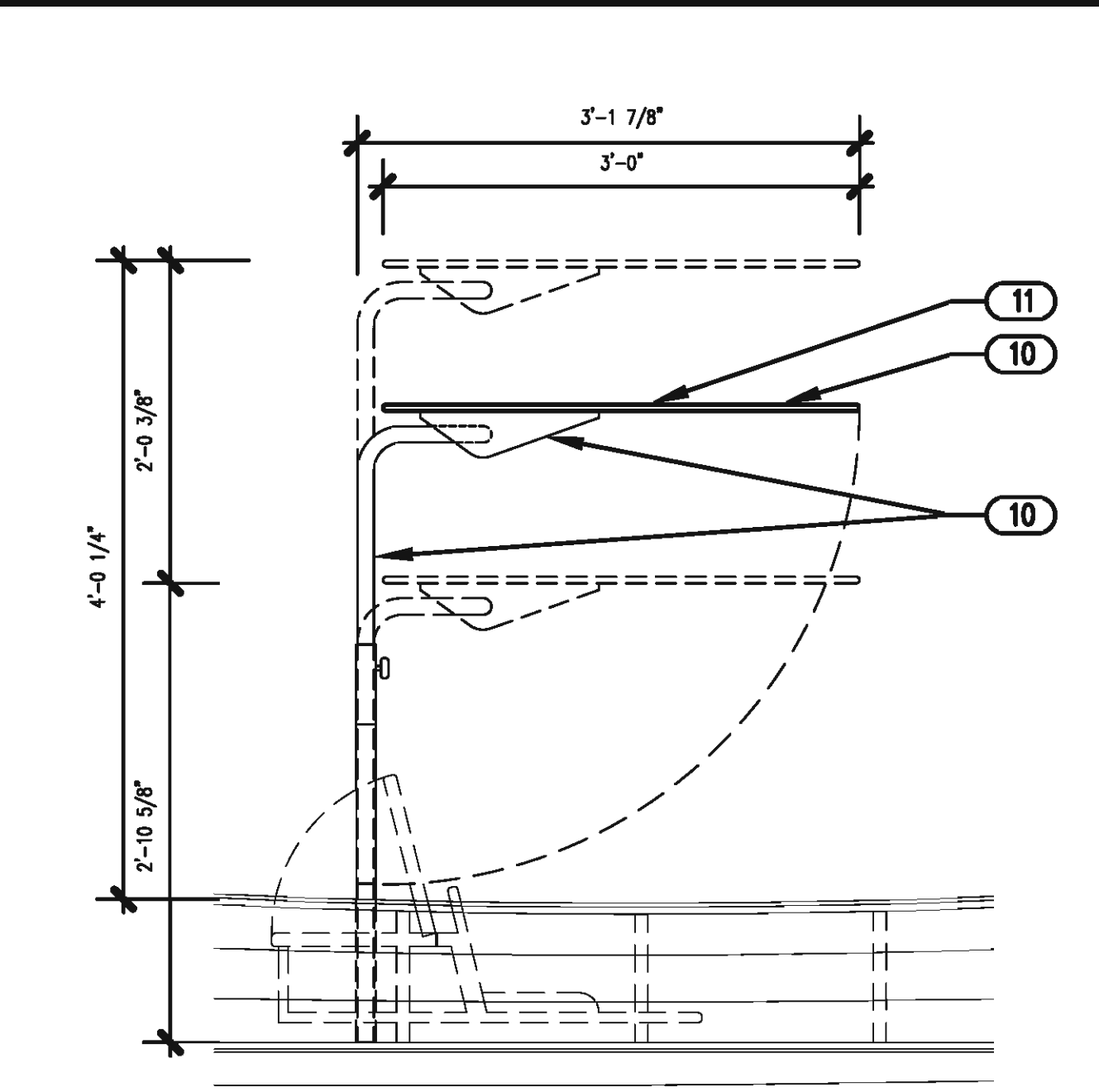


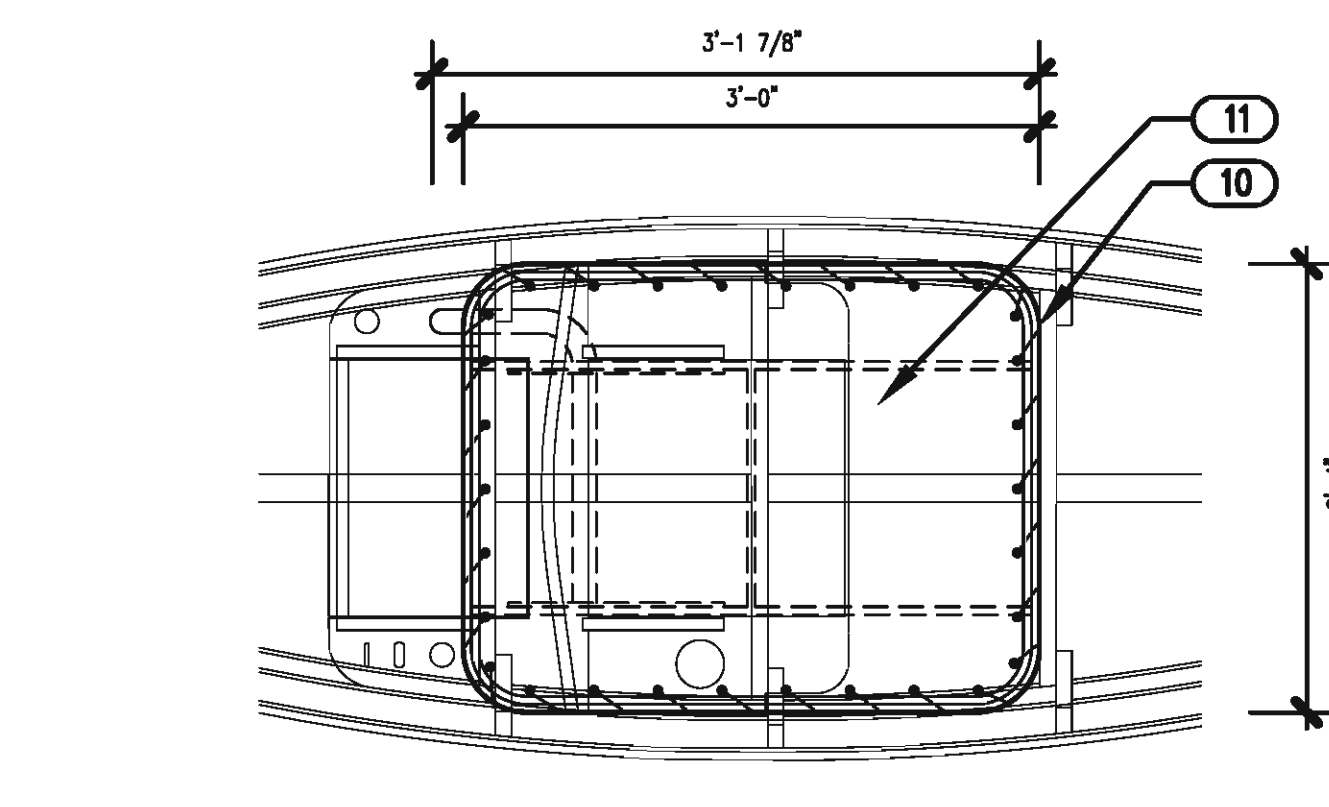
120 PROTOTYPE 2 HULL DATA	
L.O.A.	12'-0"
BEAM	2'-10"
DRAFT	4'-1 1/2"
WEIGHT DRY	82 LBS
MAXIMUM WEIGHT	385 LBS
SWAMPED CAPACITY	325 LBS.
PERSONS CAPACITY	1
MAXIMUM HORSEPOWER	2 H.P.-12V ELECTRIC ONLY-NO GASOLINE POWERED MOTORS
DEADRISE AT MIDSHIP	0 DEGREES-FLAT HORIZONTAL
OPTIONS	INTEGRATED DRY STORAGE/ICE BOX IN BOAW-REPLACES HAWSW PLATE/STORAGE ADDITIONAL CUTOUT FOR CUPHOLDER PORT & HELM CANVAS FOLDING BIMINI TOP OR POLE MOUNTED T-TOP(REQUIRES CHANGE TO TOOL/KNIFE/ROD HOLDER AREA)

120 PROTOTYPE 2 STANDARD EQUIPMENT/FEATURES DATA	
CONSOLE/HELM	BACK REST-FIXED NON-SLIP STANDARD 16" SQUARE CUSHION HOLDER IN HELM SEAT-WITH LOGO DRINK HOLDER-STARBOARD SIDE ACCESS TO LIFT LID TO STORAGE COMPARTMENT
COCKPIT	INTEGRATED SLOTS FOR ROD, PLAYERS, & BAIT KNIFE-PORT & STARBOARD FREEBOARD   BOW/STERN   1'-1" MIDSHIP/HELM   0"
	LIFTING RINGS   BOW/STERN   2" O.D. BRONZE CHROME PLATED-THRU BOLTED @ GRIP/KEEL HAWSW PLATES   BOW/STERN DECK MOUNTED   2" I.D. BRONZE CHROME PLATED-SCREW FASTENED TO COVERING BOARDS @ DECK

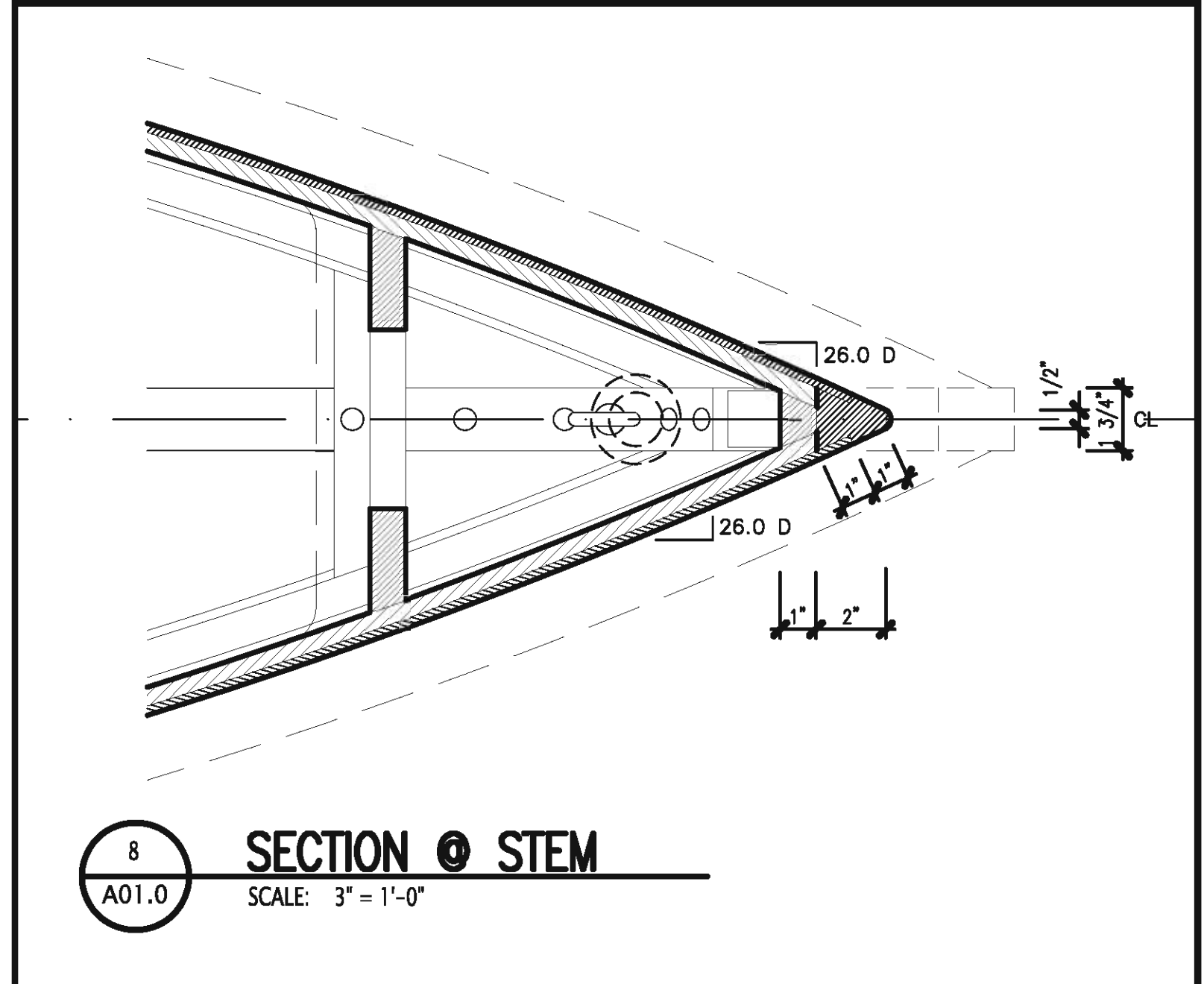
120 PROTOTYPE 2 HULL AND MATERIAL SPECIFICATIONS	
WOOD-PLANKS	1/4" PHILIPPINE MAHOGANY- ACCEPTABLE SPECIES- MERANTI, SHOREA, PARASHOREA, OKUME(IF AVAIL. IN LIGHT PINK) IF NOT AVAILABLE- "AFRICAN MAHOGANY"- ACCEPTABLE SPECIES- SAPILIE, KHAYA- IN LIGHT RED/ MEDIUM PINK
WOOD-FRAME	RIBS- 1" X VARIES, CHINES- 1-1/2" X 1-3/4", STEM- 2" X 1-3/4", KEEL- 1-3/4" X 1"
WOOD-MISC.	COVERING BOARDS- 1/2" X VARIES, DECKS- 1/2" X VARIES*, SKEG- 1" X 2-1/2"
WOOD-PLYWOOD(BOTTOM SIDES)	MERANTI PLYWOOD OR MARINE PLYWOOD- 5/8"
	*IF NOT M.P., PLYWOOD TO BE SEALED TWICE WITH SMITHS CPES
FASTENERS	SILICONE BRONZE WOOD SCREW   PLANK TO FRAME- #8, 1-1/4" PLANK TO CHINE- #8, 1-1/4" PLANK TO BATTEN- #8, 1/2" PLANK TO STEM- #8, 1-1/4" FRAME TO FRAME- #8, 1-3/4" CHINE TO STEM- #8, 1-3/4" SUB- STEM TO MAIN STEM- #8, 1-3/4" SEAT/STORAGE TO FRAME- #8, 1-3/4" SEAT/STORAGE TO SUB-FRAME- #8, 1-1/4" FRAME TO KEEL- 1/4" X 2"-WITH FLAT WASHER & NUT FRAME TO STEM- 1/4" X VARIES-WITH FLAT WASHER & NUT FRAME TO CHINE- 1/4" X 3"-WITH FLAT WASHER & NUT GRIP TO KEEL- 1/4" X 2-1/2"-WITH FLAT WASHER & NUT
SEALANTS- SEAMS	3M 5200   VARNISHED JOINT/ SEAM- MAHOGANY COLOR
SEALANTS- WOOD	SMITH'S CPES WOOD SEALANT EPOXY- 35% SOLIDS   2 COATS- ALL SURFACES- SAND BEFORE STAIN AND VARNISH
STAIN-WOOD	EXTERIOR OF PLANKS   INTERLUX 573 INTERSTAIN CHRIS-CRAFT MAHOGANY EXTERIOR OF COVERING BOARDS   INTERLUX 573 INTERSTAIN CHRIS-CRAFT MAHOGANY HELM/STORAGE ASSEMBLY- TOPS   INTERLUX 573 INTERSTAIN CHRIS-CRAFT MAHOGANY
PAINT INTERIOR	SANDUSKY 9606 CHRIS-CRAFT GRAY BILGE PAINT
BOTTOMSIDES HOLE FILLER	FAMOWOOD PROFESSIONAL NON SHRINK COMPOUND-OIL BASED-THIN WITH FAMOWOOD SOLVENT
VARNISH	INTERLUX SCHOONER GOLD   THIN 30% WITH INTERLUX 333 THINNING SOLUTION
BOOT STRIPE	INTERLUX YACHT ENAMEL   120 SKIFF- WHITE 140 SKIFF- TRUE BLUE
BARRIER COAT	INTERLUX 2000E BARRIER SYSTEM EPOXY(55% SOLIDS)   4 COATS MINIMUM- FAIR AFTER 2,3, & 4 COATS
BOTTOM PAINT	PETIT COPPER BRONZE   1959 RACING BRONZE- HULLS THAT WILL NOT BE LEFT IN WATER 1933 ANTI- FOULING- HULLS THAT WILL BE STORED IN WATER EXTENDED TIME PERIODS
HARDWARE	LIFT RING-BOW AND STERN   2" CHROME PLATED BRONZE HAWSW PLATE BOW AND STERN   TUBULAR 1-1/2" ID WITH SURFACE FLANGE AND SCREW HOLES HARDWARE MOUNTING SCREWS   #8 X 1" BRONZE WOOD SCREW WITH CHROME PLATED PHILLIPS HEAD



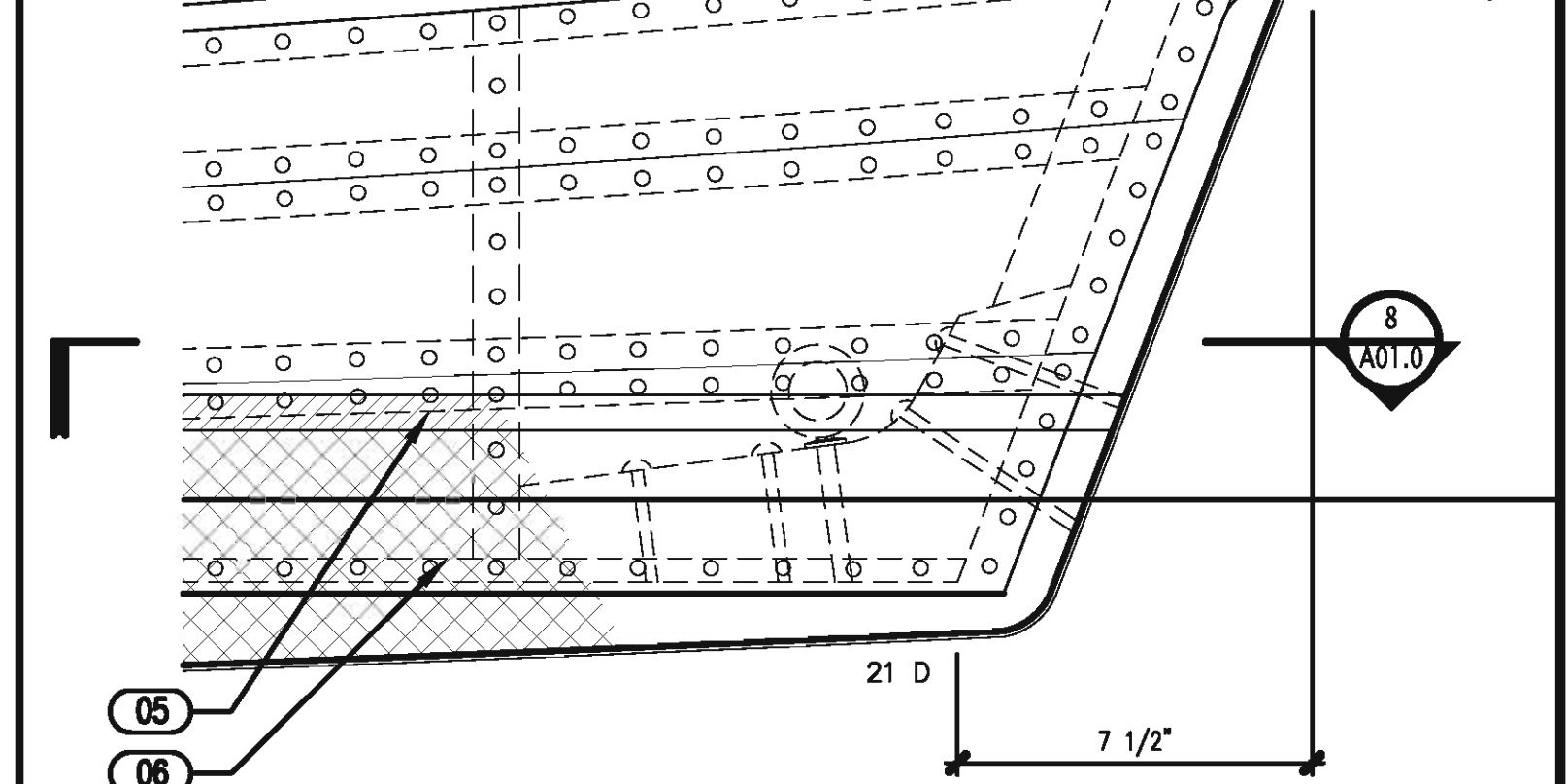
10 ELEVATION:OPTIONAL T-TOP  
SCALE: 1"=1'-0"



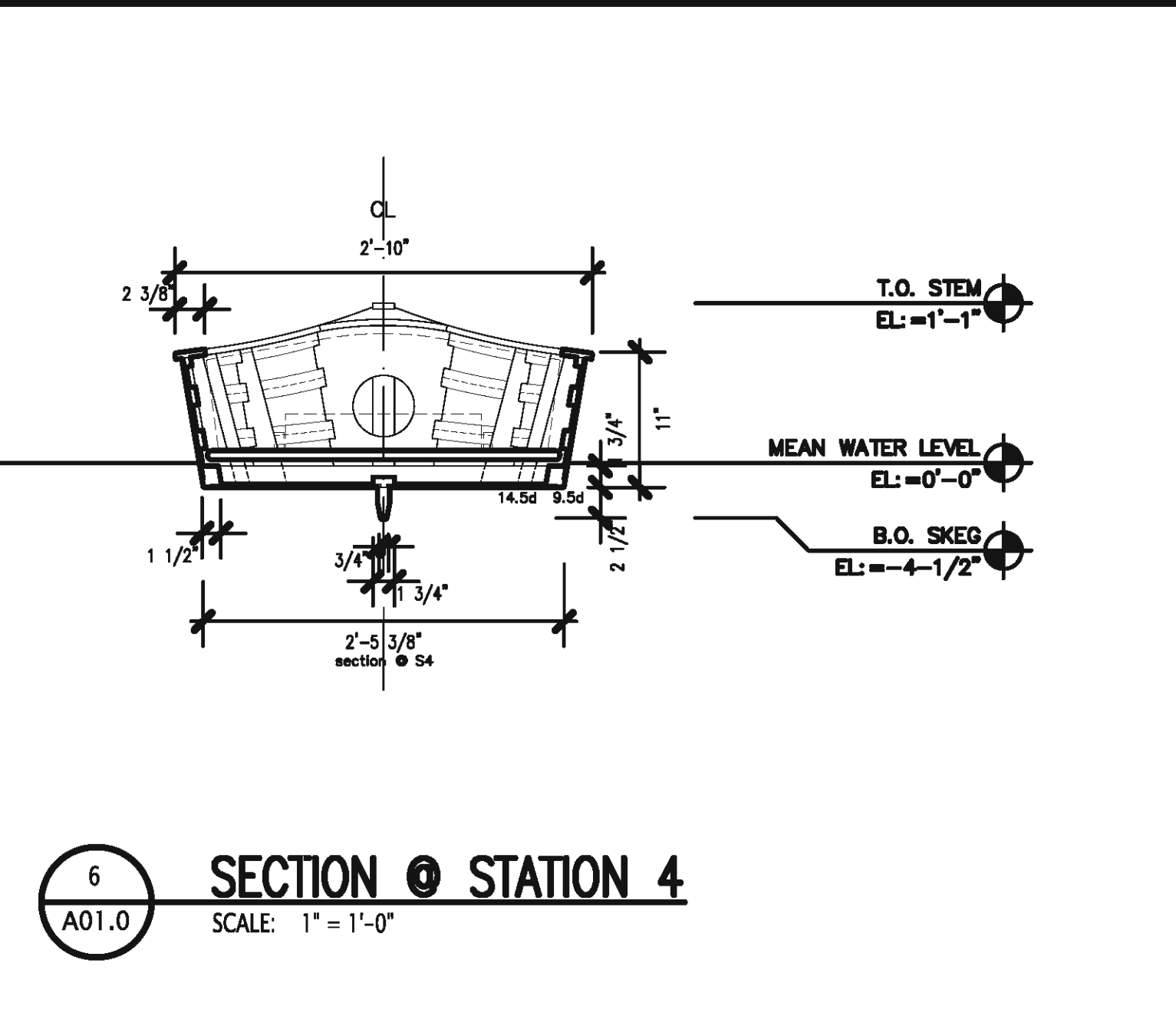
9 PLAN:OPTIONAL T-TOP  
SCALE: 1"=1'-0"



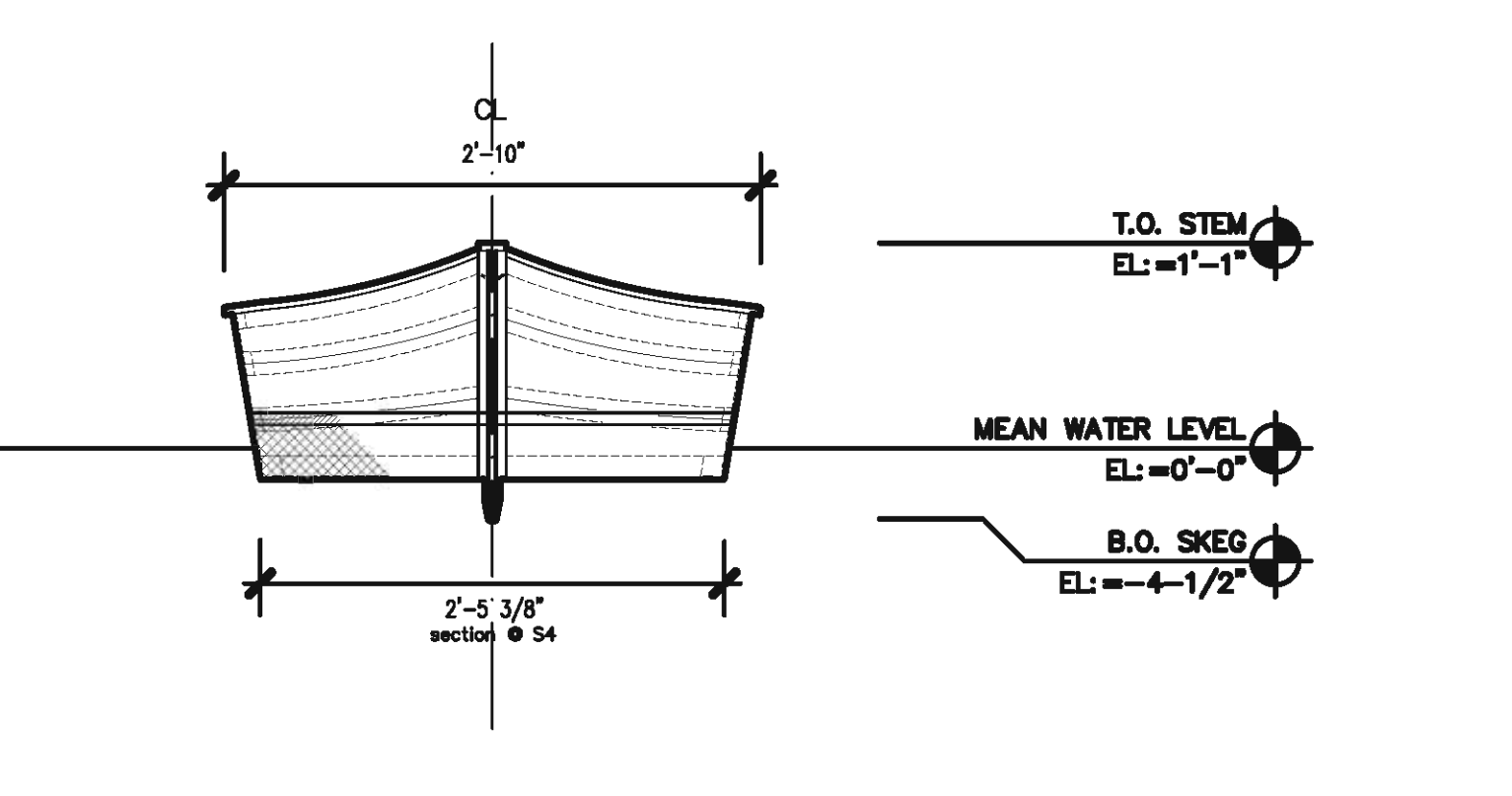
8 SECTION @ STEM  
SCALE: 3"=1'-0"



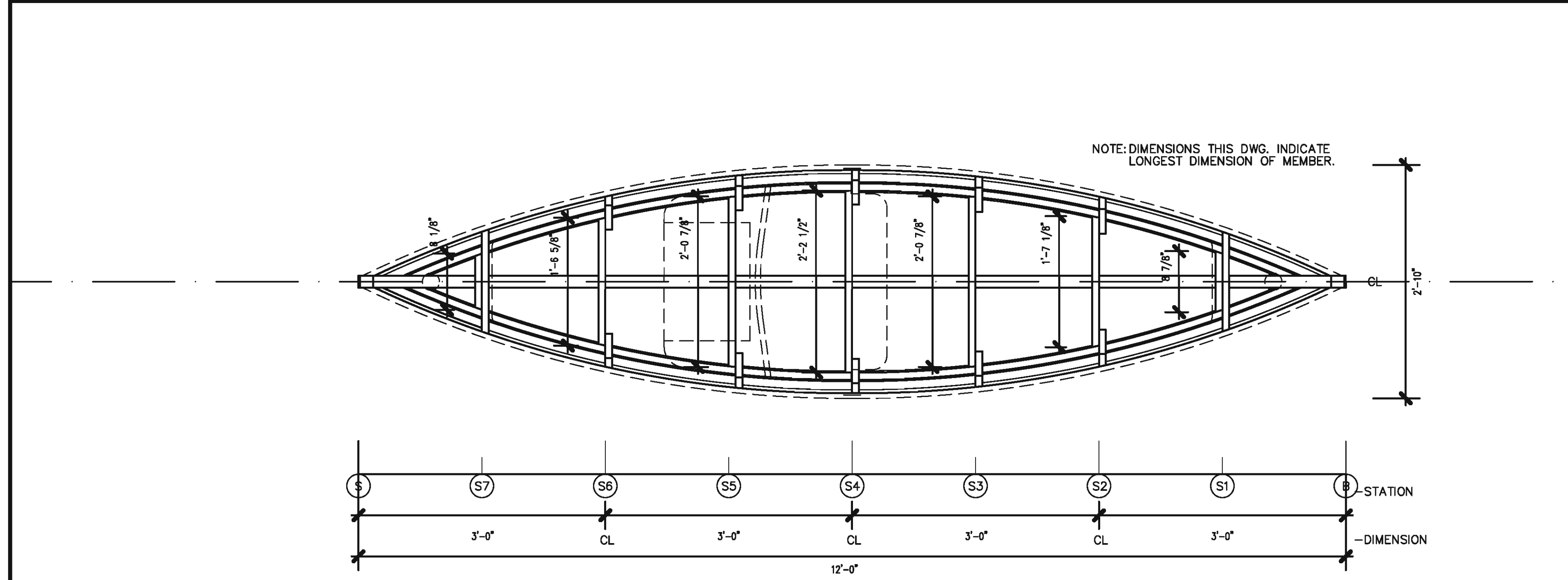
7 ENLARGED ELEVATION: BOW  
SCALE: 3"=1'-0"



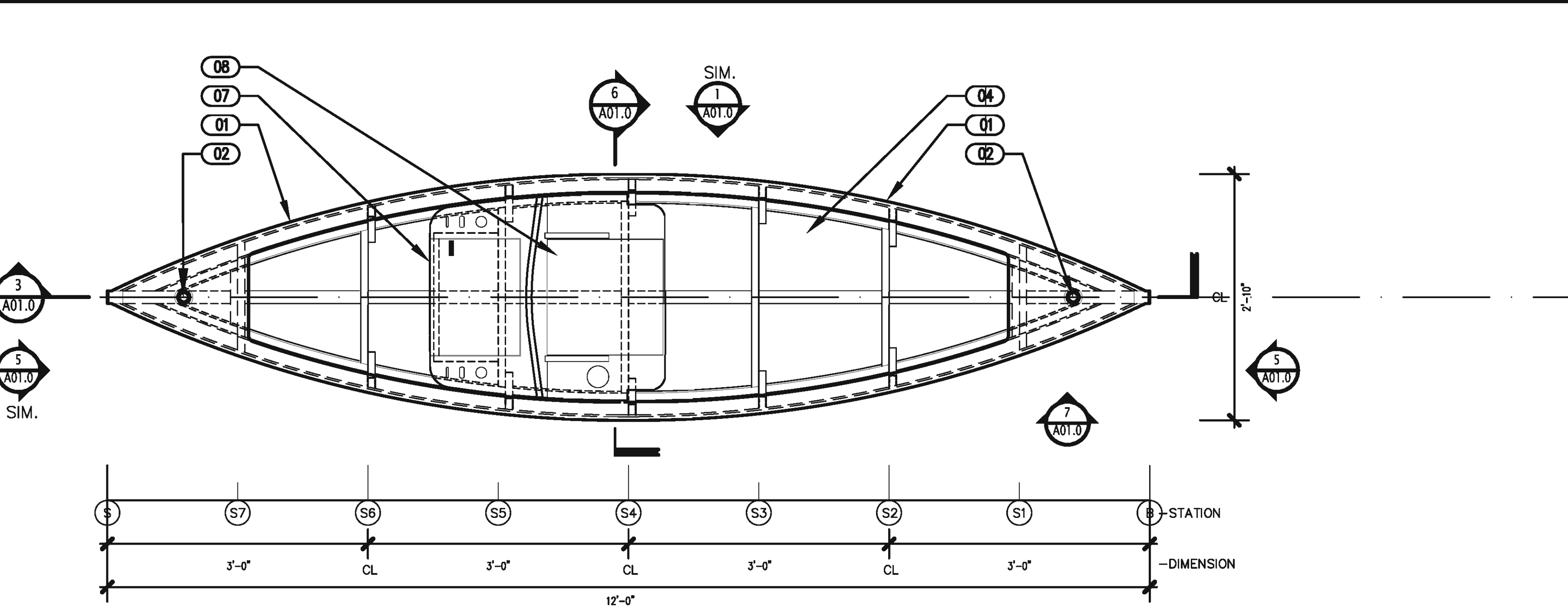
6 SECTION @ STATION 4  
SCALE: 1"=1'-0"



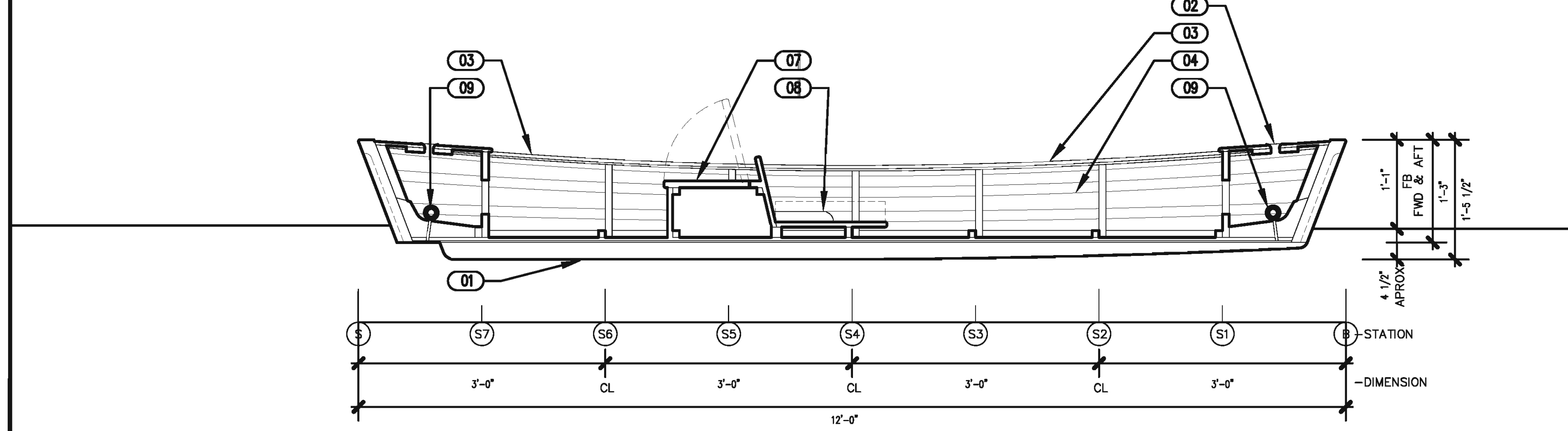
5 ELEVATION:STEM  
SCALE: 1"=1'-0"



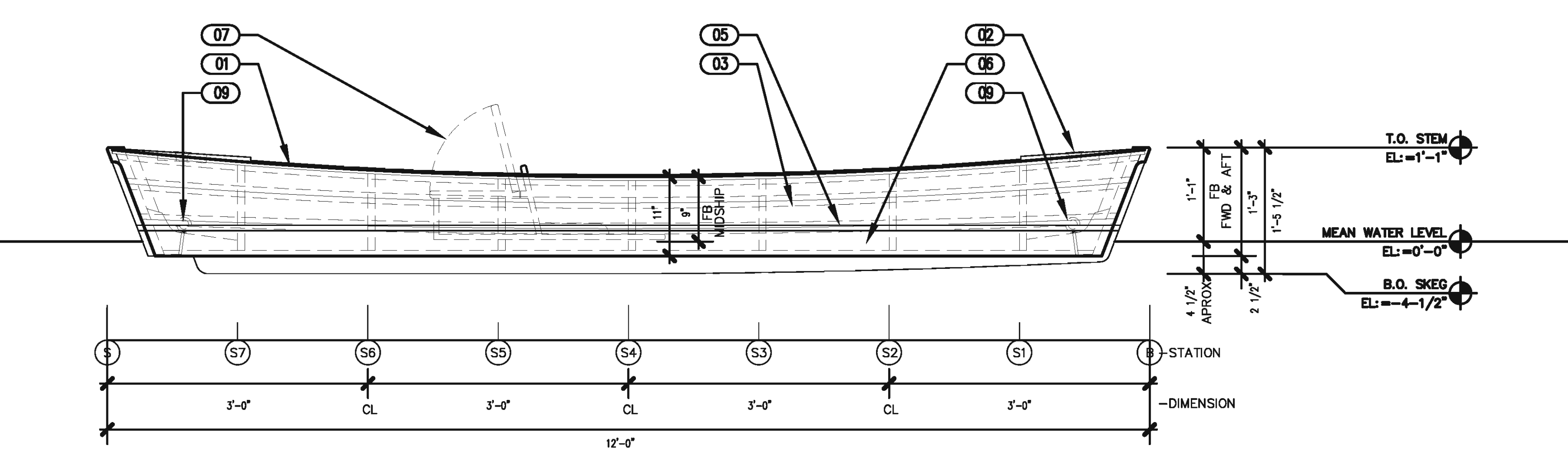
4 FRAMING PLAN  
SCALE: 1"=1'-0"



2 PLAN:HULL @ COVERING BOARDS  
SCALE: 1"=1'-0"



3 SECTION:THRU KEEL CL  
SCALE: 1"=1'-0"



1 ELEVATION:STARBOARD  
SCALE: 1"=1'-0"

REVISIONS:	

- KEY NOTES:**
- 01 1/2" POL. S.S. RUBRAIL
  - 02 1-1/2" HAWSW PLATE
  - 03 MAHOG.-STAINED,VARNISHED
  - 04 PAINTED INTERIOR
  - 05 PAINTED BOOT STRIPE
  - 06 BOTTOM PAINT
  - 07 STORAGE COMPARTMENT
  - 08 HELM SEAT
  - 09 LIFTING RING
  - 10 ALUM. FRAME
  - 11 CANVAS TOP

CONSULTANTS:

SHEET CONTENTS:  
**120 SKIFF**  
prototype 2  
DATE: 08.10.12



sheet:  
**01.00**